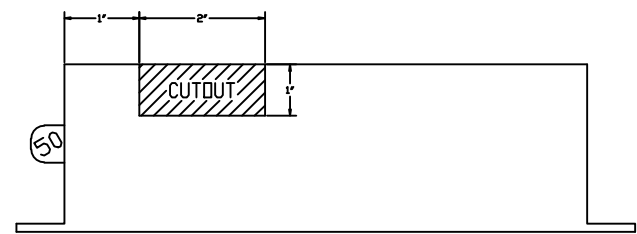
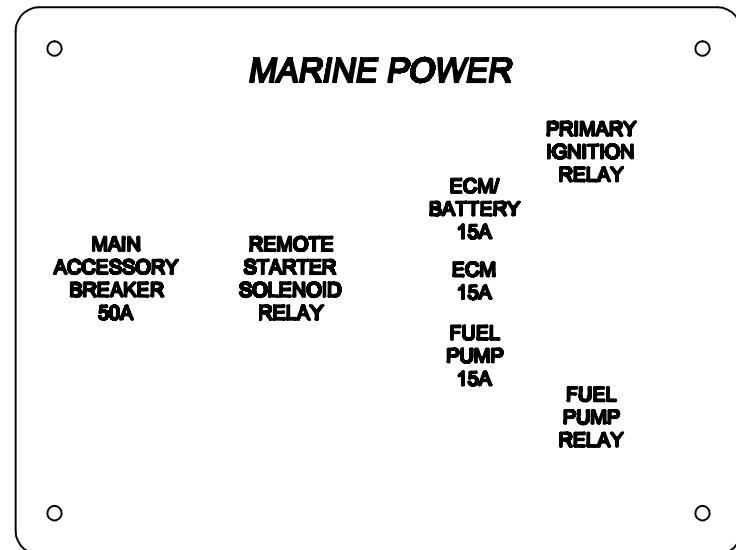


REVISION				
CONTROL LOG #		1789		
ZONE	REV	DRAWN BY	APPROVED	DATE
	A	C.WEBER		4/26/05
	B	C.WEBER		10/25/05
	B.1			0674
	B.2			0675
	C	C.WEBER		2/3/06

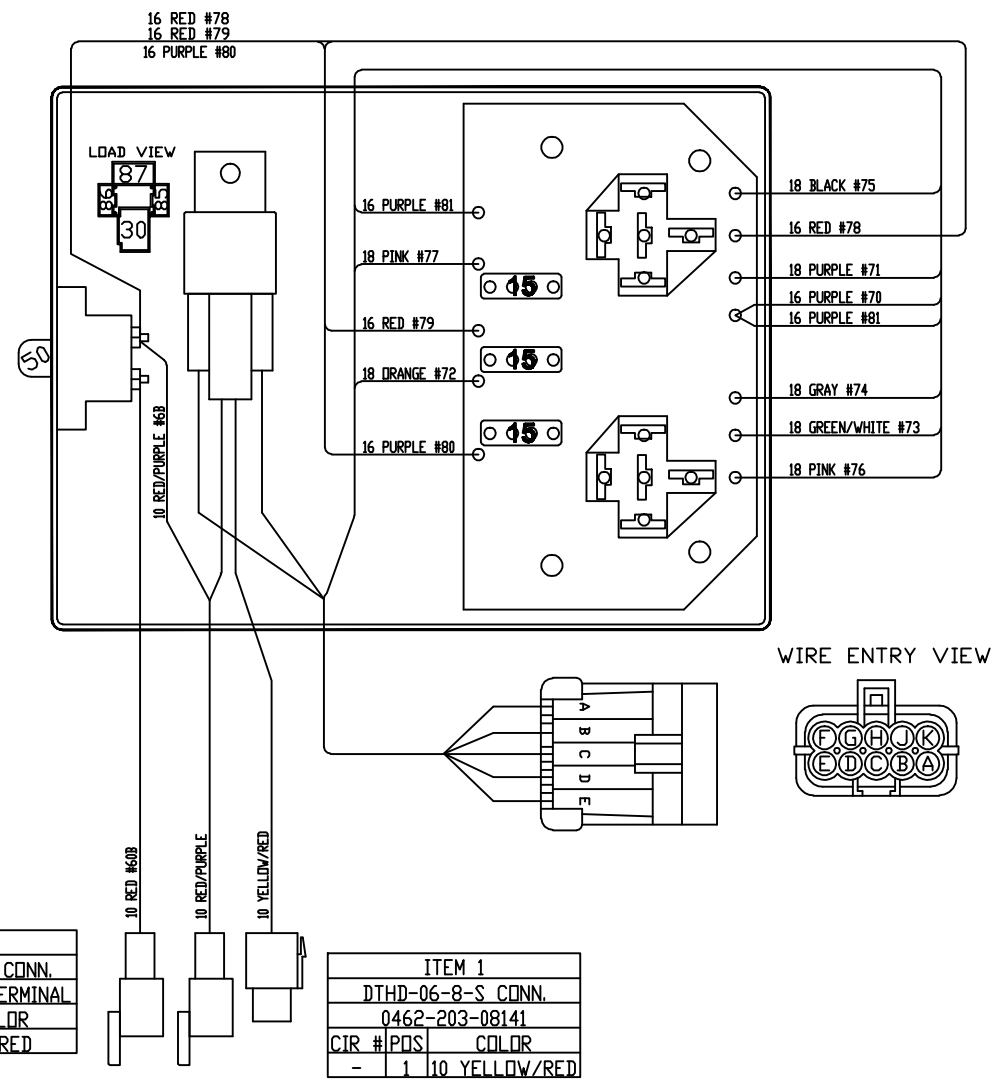


ITEM 15B		
1393310-4 CONNECTOR		
280756-4 TERM (10GA)		
60249-2 TERM (14-16)		
WGVA-VF7-41F11 RELAY		
PMFSSB08C.625 SCREW		
NMBR008C BRASS NUT (2EA)		
WE18008 TOOTH LOCK WASHER (3EA)		
CIR #	POS	COLOR
6B	30	10 RED/PURPLE
83	86	16 YELLOW/RED
62	87	10 YELLOW/RED
82	85	16 BLACK

BREAKER 50 AMP	
P/N: 7851-18-50-I	
PPMSSSB08C.75 SCREW (2EA)	
NMBR008C BRASS NUT (2EA)	
WE18008 TOOTH LOCK WASHER (2EA)	
WGVA-VF7-41F11 RELAY	



BOX DC-46FMBY
LID 15-710
FI1880606040 4-40 SCREW (4EA)
INNER PLATE 15-749
CIRCUIT BOARD 08-168
TERM ATC CLIP PC (6EA)
57FG06 #6-3/8 SCREW (4EA)
15A FUSE ATC-15 (3EA)
BR05-PCB RELAY BASE (2EA)
RELAY 87429B (2EA)



ITEM 16B		
12045808 CONNECTOR		
12045773 TERMINAL		
12124264 LOCK		
12048086 SEAL		
12059168 PLUG		
CIR #	POS	COLOR
70	A	16 PURPLE
83	B	16 YELLOW/RED
72	C	18 ORANGE
73	D	18 GREEN/WHITE
74	E	18 GRAY
75	F	18 BLACK
76	G	18 PINK
71	H	18 PURPLE
77	J	18 PINK
82	K	16 BLACK

Ignition
Start Request
Batt feed to ECM
Fuel pump relay ground
Power to fuel pump
Ground
ignition feed to ecm
ignition feed from 10 pin
ignition
Ground

ITEM		
DTHD-04-1-8-P CONN.		
0460-204-08141 TERMINAL		
CIR #	POS	COLOR
60B	1	10 RED

ITEM 1		
DTHD-06-8-S CONN.		
0462-203-08141		
CIR #	POS	COLOR
-	1	10 YELLOW/RED

ITEM		
DTHD-04-1-8-P CONN.		
0460-204-08141 TERMINAL		
CIR #	POS	COLOR
-	1	10 RED/PURPLE

BCS
Bolton Conductive Systems
1501 Latta Rd
Waukegan, IL 60087
815-295-2000 Fax: 815-295-0400

ALL INFORMATION AND TECHNICAL DATA DISCLOSED HEREIN ARE THE PROPERTY OF BOLTON CONDUCTIVE SYSTEMS AND ARE NOT TO BE REPRODUCED OR DISCLOSED TO OTHERS FOR ANY PURPOSE WITHOUT THE WRITTEN CONSENT OF BOLTON CONDUCTIVE SYSTEMS.

DATE: 4/26/05
REV: 1789
DRAWN BY: C.WEBER
APPROVED: [Signature]
PART NAME: HARNESS_6L_1AF
DRAWING NO: 472655C