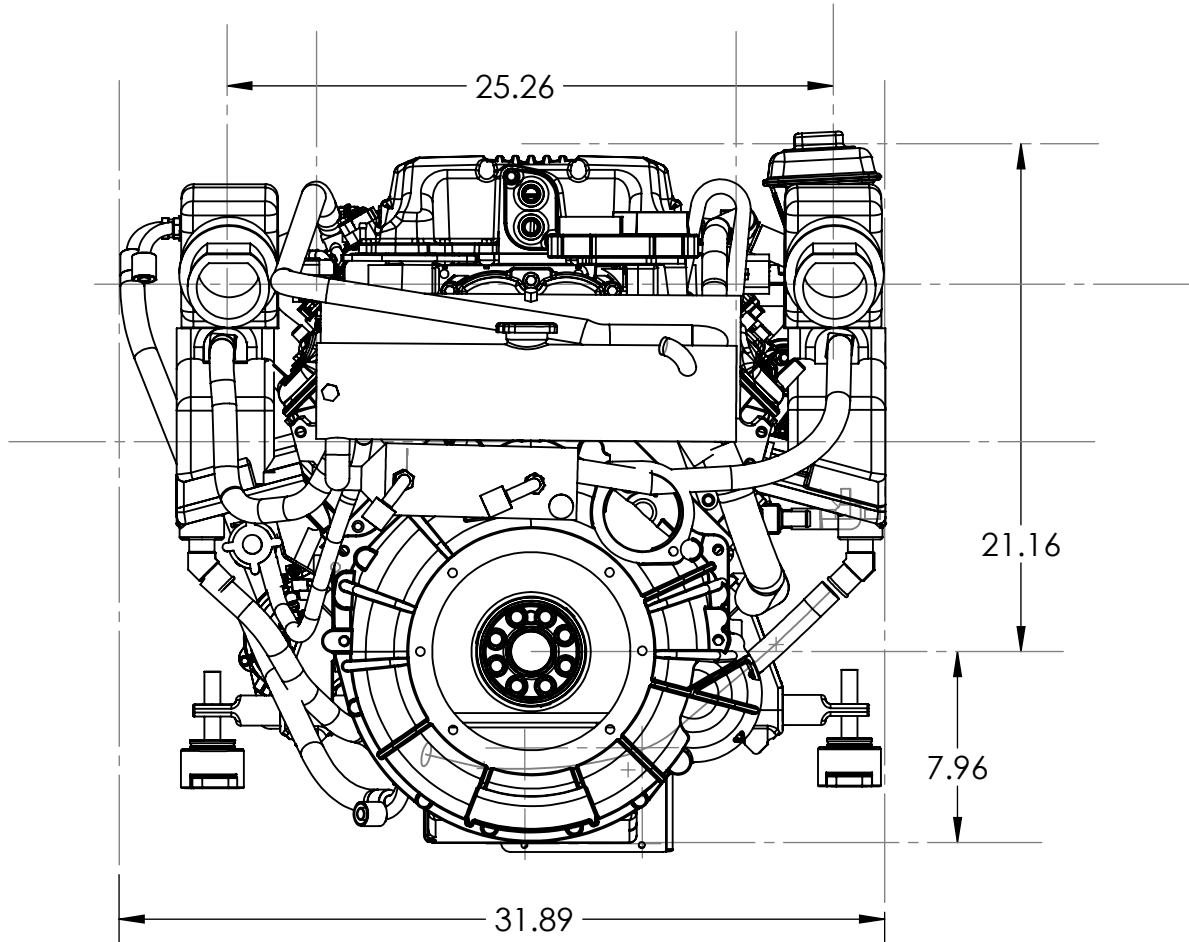


UNLESS OTHERWISE SPECIFIED:
 DIMENSIONS ARE IN INCHES
 TOLERANCES:
 FRACTIONAL $\pm 1/8"$
 ANGULAR: MACH $\pm 1^\circ$ BEND $\pm 2^\circ$
 ONE PLACE DECIMAL $\pm .125$
 TWO PLACE DECIMAL $\pm .030$
 THREE PLACE DECIMAL $\pm .010$
 BREAK SHARP EDGES .015 TO .030
 MACHINED SURFACES

DESCRIPTION:
J62LSAF

MARINEPOWER[®]
The Force Behind The Fun.[™]

SIZE	DRAWING NO.	REV
A		-
		SHEET 1 OF 2



UNLESS OTHERWISE SPECIFIED:
 DIMENSIONS ARE IN INCHES
 TOLERANCES:
 FRACTIONAL $\pm 1/8"$
 ANGULAR: MACH $\pm 1^\circ$ BEND $\pm 2^\circ$
 ONE PLACE DECIMAL $\pm .125$
 TWO PLACE DECIMAL $\pm .030$
 THREE PLACE DECIMAL $\pm .010$
 BREAK SHARP EDGES .015 TO .030
 MACHINED SURFACES

DESCRIPTION:
J62LSAF

MARINEPOWER[®]
The Force Behind The Fun.[™]

SIZE	DRAWING NO.	REV
A		-
		SHEET 2 OF 2