

UNLESS OTHERWISE SPECIFIED:
 DIMENSIONS ARE IN INCHES
 TOLERANCES:
 FRACTIONAL $\pm 1/8"$
 ANGULAR: MACH $\pm 1^\circ$ BEND $\pm 2^\circ$
 ONE PLACE DECIMAL $\pm .125$
 TWO PLACE DECIMAL $\pm .030$
 THREE PLACE DECIMAL $\pm .010$
 BREAK SHARP EDGES .015 TO .030
 MACHINED SURFACES

DESCRIPTION:

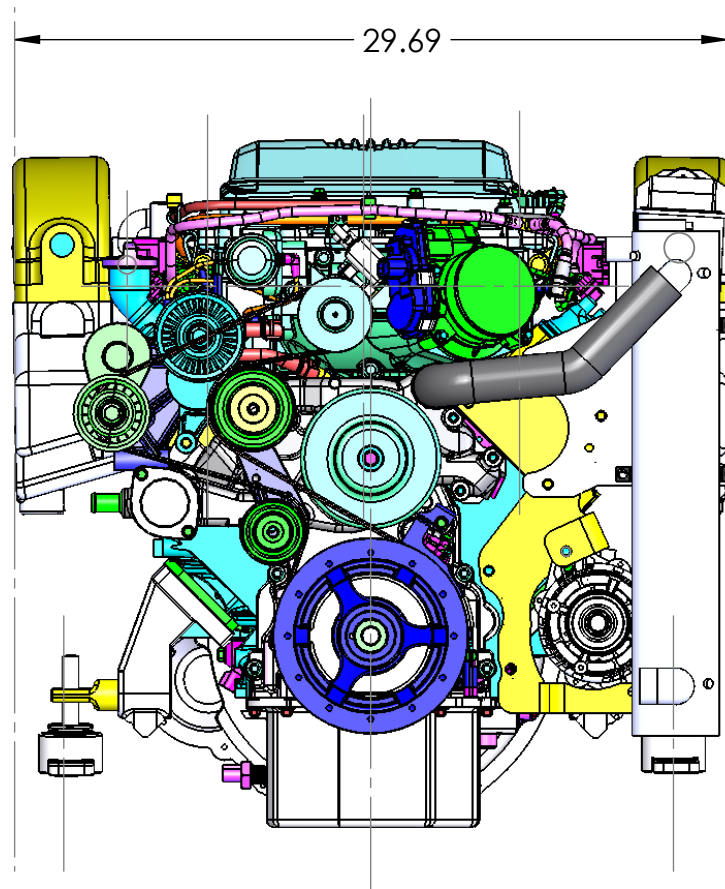
**J62LSA
 MY12-15**

MARINEPOWER[®]
The Force Behind The Fun.[™]

SIZE **A** DRAWING NO.

REV -

SHEET 1 OF 2



UNLESS OTHERWISE SPECIFIED:
 DIMENSIONS ARE IN INCHES
 TOLERANCES:
 FRACTIONAL $\pm 1/8"$
 ANGULAR: MACH $\pm 1^\circ$ BEND $\pm 2^\circ$
 ONE PLACE DECIMAL $\pm .125$
 TWO PLACE DECIMAL $\pm .030$
 THREE PLACE DECIMAL $\pm .010$
 BREAK SHARP EDGES .015 TO .030
 MACHINED SURFACES

DESCRIPTION:

**J62LSA
 MY12-15**

MARINEPOWER[®]
The Force Behind The Fun.[™]

SIZE DRAWING NO.

A

REV

-

SHEET 2 OF 2