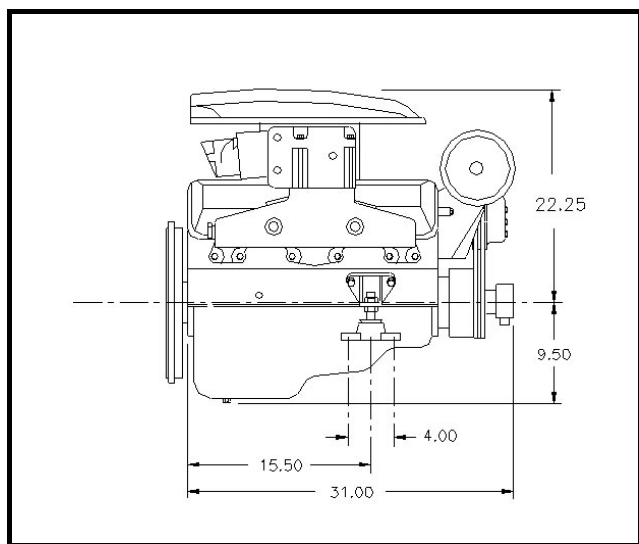
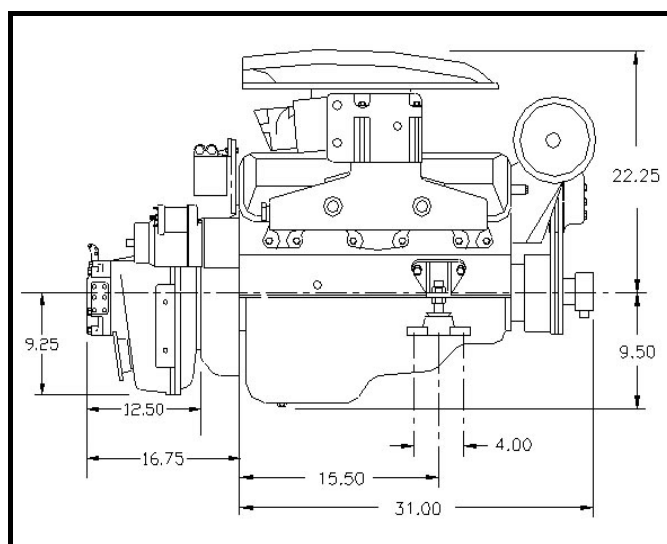


SPECIFICATIONS	PREMIUM
DISPLACEMENT (LITER/CID)	8.2L / 502
CYLINDERS	V-8
BORE & STROKE (INCHES)	4.47 X 4.00
COMPRESSION RATIO	8.75:1
CARBURETOR	4 BBL
IGNITION	DELCO ELECTRONIC
FULL THROTTLE OPERATION (CARBURETED)	4600 - 5000
TRANSMISSION (SPORTPAC MODEL)	HURTH or BW
TOTAL WEIGHT - U.S. LBS - SPORTPAC (W/DIRECT DRIVE)	1,005
TOTAL WEIGHT - U.S. LBS. - ENPAC	985



MR2 - Carbureted, FM Fresh Water Cooling



Sportpac - Carbureted, FM FW C, Velvet Drive 5000C