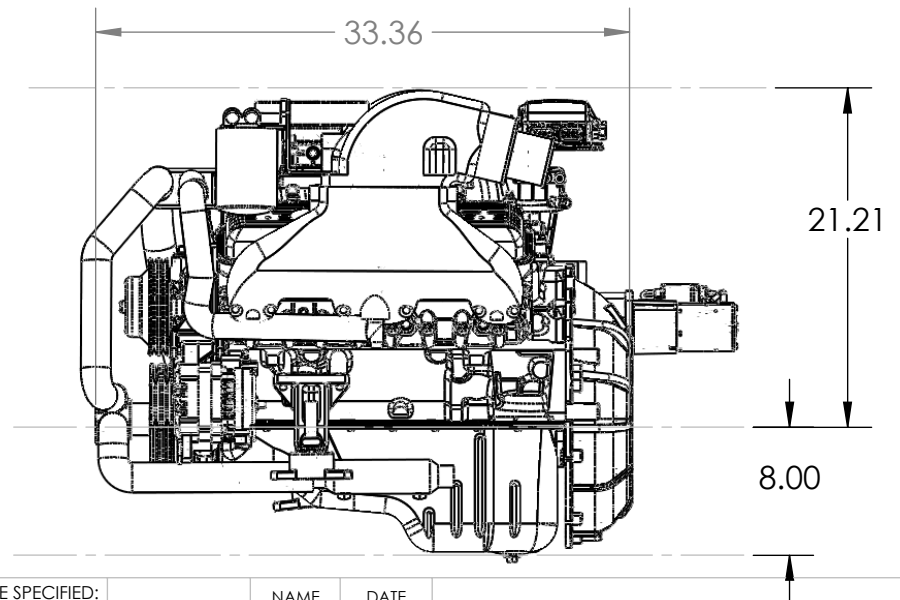


5.7 L CID SEQUENTIAL ELECTRONIC FUEL INJECTION CONFIGURATION SHOWS RAW WATER COOLING AND TOP MOUNTED STARTER

BELLHOUSING ADAPTS TO ZF 45 AND 63 TRANSMISSIONS AND VELVET DRIVE 71, 72 AND LIBERTY SERIES TRANSMISSIONS. ENGINE ROTATION IS LEFT HAND(NORMAL).

FRONT MOUNTS DIMENSIONS SHOW BOTH MEDIUM AND TALL TRUNIONS. SHORT TRUNIONS ARE ALSO AVAILABLE.



MOUNTING WIDTH DIMENSION IS 22.5-24.00"

PROPRIETARY AND CONFIDENTIAL
THE INFORMATION CONTAINED IN THIS DRAWING IS THE SOLE PROPERTY OF <INSERT COMPANY NAME HERE>. ANY REPRODUCTION IN PART OR AS A WHOLE WITHOUT THE WRITTEN PERMISSION OF <INSERT COMPANY NAME HERE> IS PROHIBITED.

| | |
|-------------|---------|
| | |
| | |
| | |
| | |
| NEXT ASSY | USED ON |
| APPLICATION | |

| |
|---|
| UNLESS OTHERWISE SPECIFIED: |
| DIMENSIONS ARE IN INCHES TOLERANCES: FRACTIONAL ± ANGULAR: MACH ± BEND ± TWO PLACE DECIMAL ± THREE PLACE DECIMAL ± |
| INTERPRET GEOMETRIC TOLERANCING PER: |
| MATERIAL |
| FINISH |
| DO NOT SCALE DRAWING |

| | | |
|-----------|------|------|
| | NAME | DATE |
| DRAWN | | |
| CHECKED | | |
| ENG APPR. | | |
| MFG APPR. | | |
| Q.A. | | |
| COMMENTS: | | |

| | | |
|------------------------|----------------|--------------|
| MARINE POWER | | |
| TITLE: | | |
| 5.7 SPORTPAC_RW | | |
| SIZE | DWG. NO. | REV |
| A | BOBTAIL | |
| SCALE: 1:24 | WEIGHT: | SHEET 1 OF 1 |