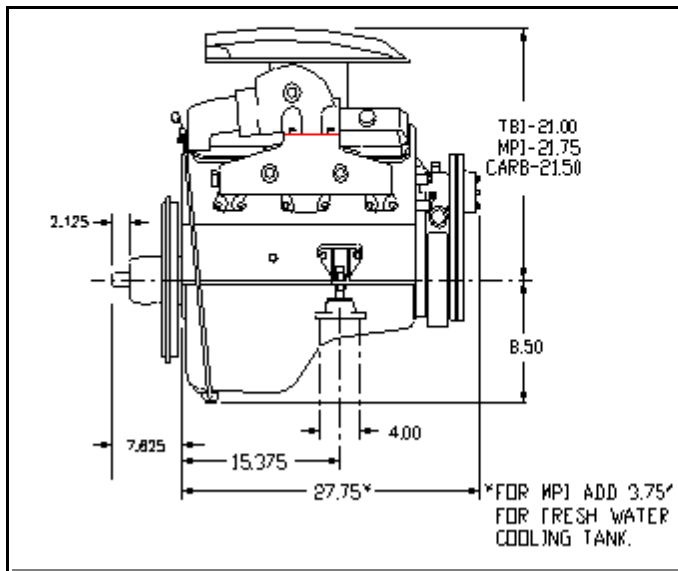
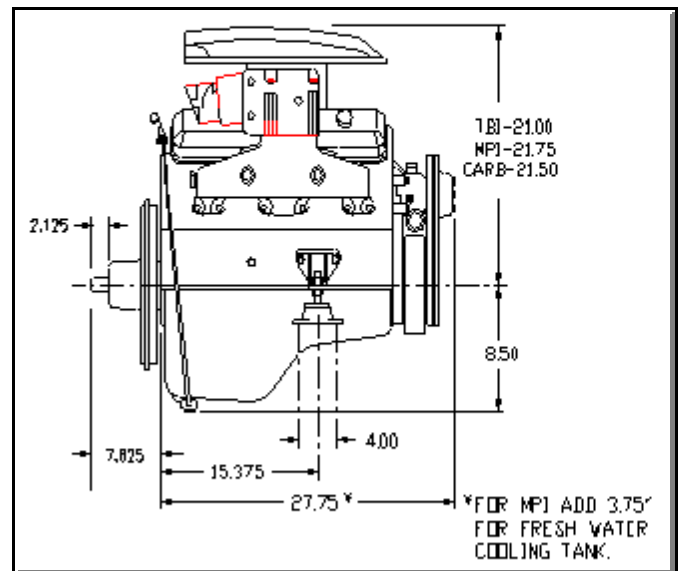


SPECIFICATIONS	5.7 VORTEC	5.7 V MPI
DISPLACEMENT (LITER/CID)	5.7 / 350	5.7 / 350
CYLINDERS	V-8	V-8
BORE & STROKE (INCHES)	4.00 x 3.48	4.00 x 3.48
COMPRESSION RATIO	9.4:1	9.4:1
CARBURETOR	4 BBL (HOLLEY)	N / A
IGNITION	DELCO ELECTRONIC	MEFI 4 OR 5
FULL THROTTLE OPERATION (CARBURETED VERSION)	4600 - 5000	4600 - 5000
FULL THROTTLE OPERATION (EFI VERSION)	4600 - 5000	4600 - 5000
ROTATION (FLYWHEEL)	CCW	CCW
TOTAL WEIGHT - U.S. LBS.	750	750



MR1 - Raw Water Cooled



MR2 - Raw Water Cooled