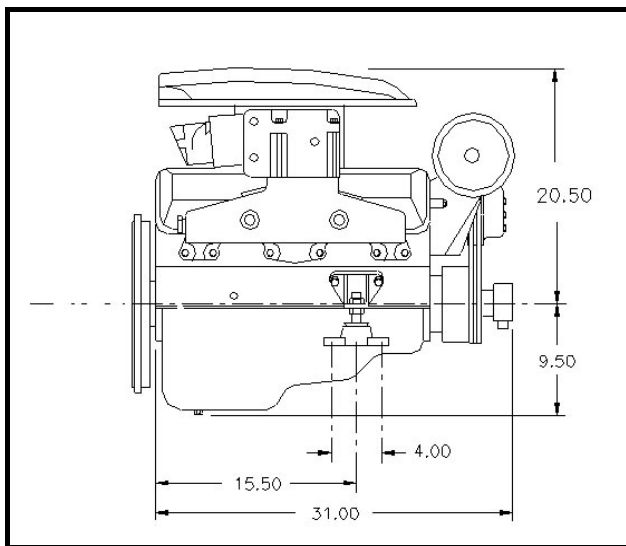
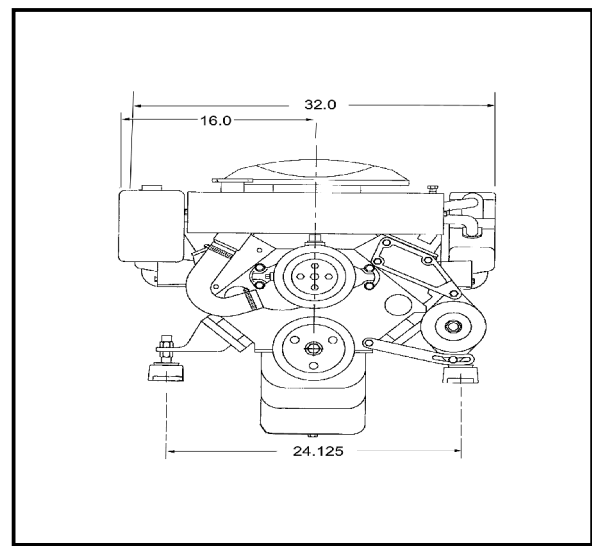


SPECIFICATIONS	STANDARD
DISPLACEMENT (LITER/CID)	7.4L / 454
CYLINDERS	V-8
BORE & STROKE (INCHES)	4.25 X 4.00
COMPRESSION RATIO	8.4:1
FUEL SYSTEM	4 BBL HOLLEY
IGNITION	DELCO ELECTRONIC
FULL THROTTLE OPERATION (CARBURETED)	4000 - 4400
ROTATION (FLYWHEEL) (<i>Opposite Rotation Available on Sportpac Only</i>)	CCW/CW
TRANSMISSION - SPORTPAC ONLY	HURTH or BW
TOTAL WEIGHT - U.S. LBS. - ENPAC	870
TOTAL WEIGHT - U.S. LBS. - SPORTPAC W/DIRECT DRIVE	980



Enpac - Carbureted, FM Fresh Water Cooling



SportPac Carbureted